



ACHSANBAU (10 x 6 x 10)
AXLE ATTACHMENT (10 x 6 x 10)

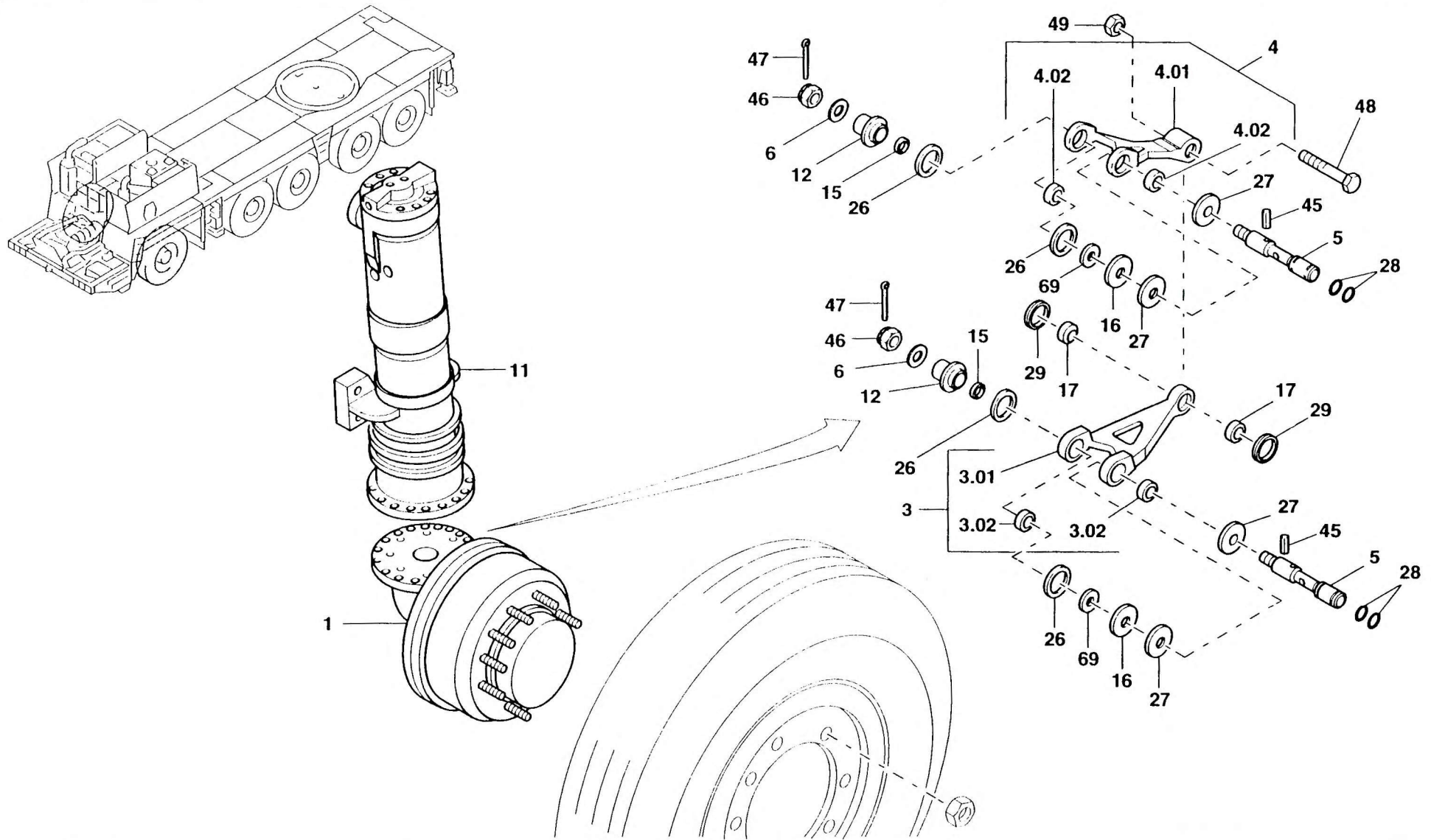
04.96

BILDТАФЕЛ
PICTORIAL DISPLAY

2301030-ETL F

1/8

GMK 5160
BE 505
G 061





ACHSANBAU (10 x 6 x 10)
AXLE ATTACHMENT (10 x 6 x 10)

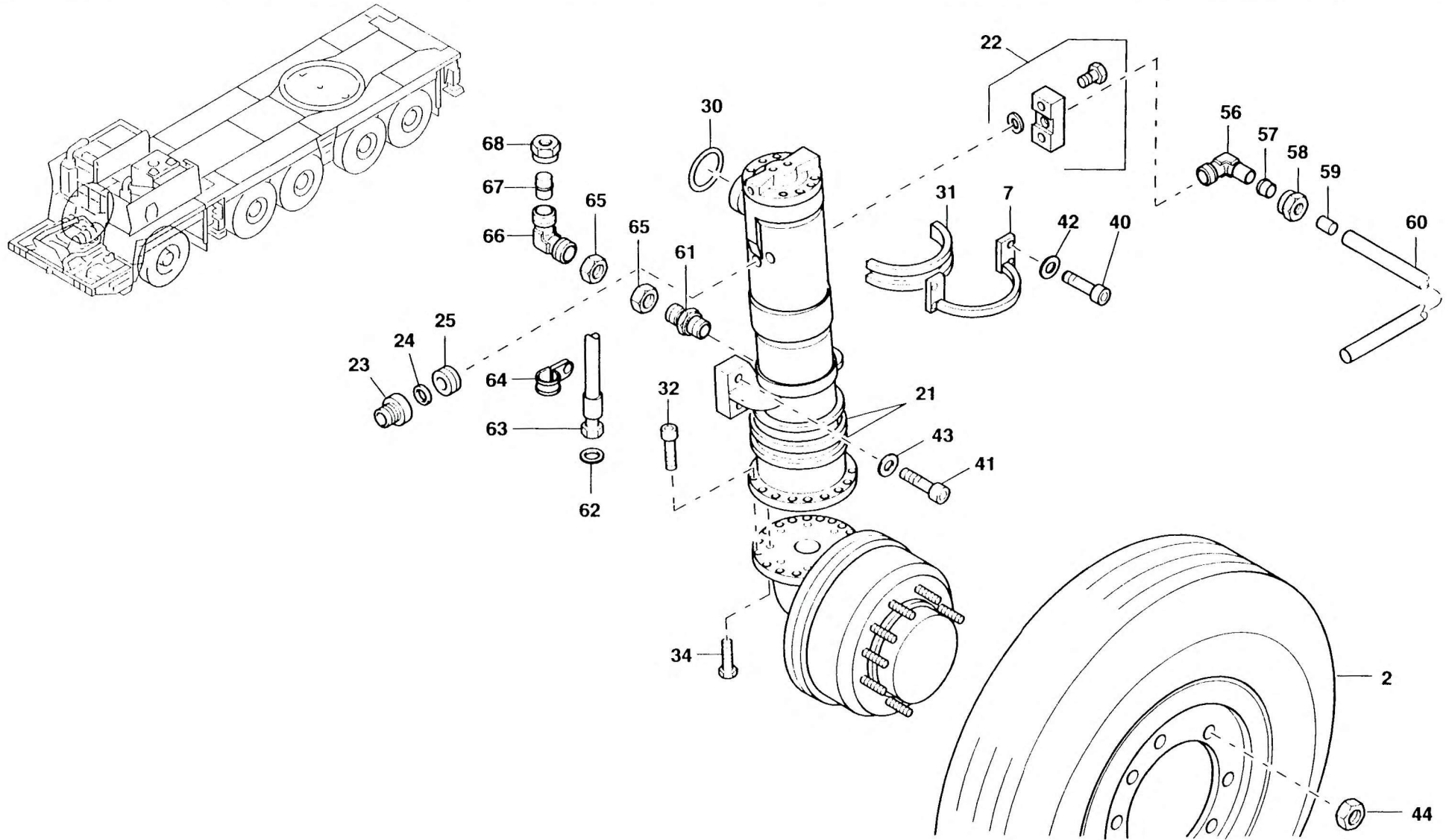
BILDTAFEL
PICTORIAL DISPLAY

GMK 5160
BE 505
G 061

04.96

2301030-ETL F

2/8





ACHSANBAU (10 x 6 x 10)
AXLE ATTACHMENT (10 x 6 x 10)

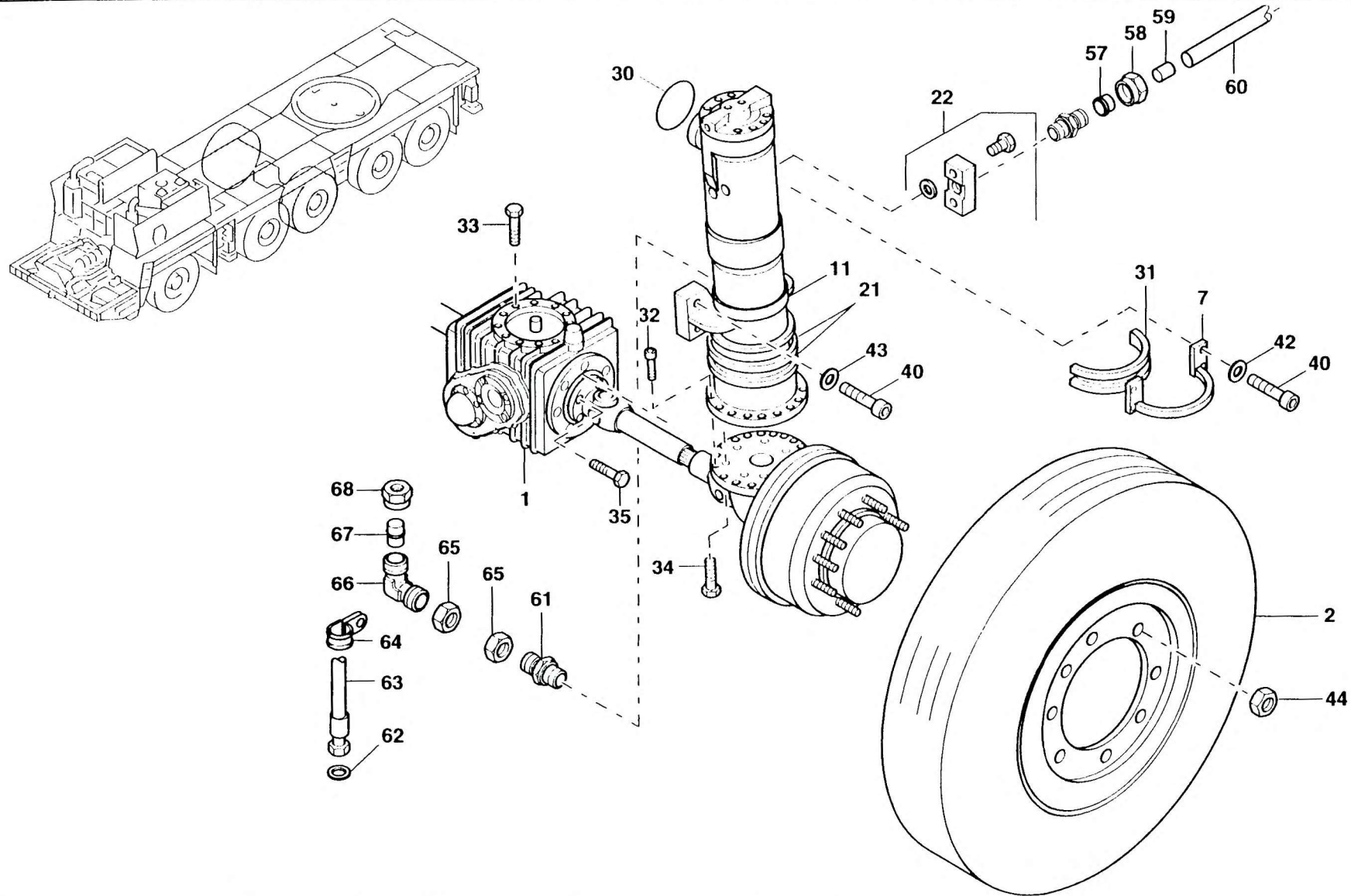
BILDTAFEL
PICTORIAL DISPLAY

04.96

2301030-ETL F

4/8

GMK 5160
BE 505
G 061





ACHSANBAU (10 x 6 x 10)
AXLE ATTACHMENT (10 x 6 x 10)

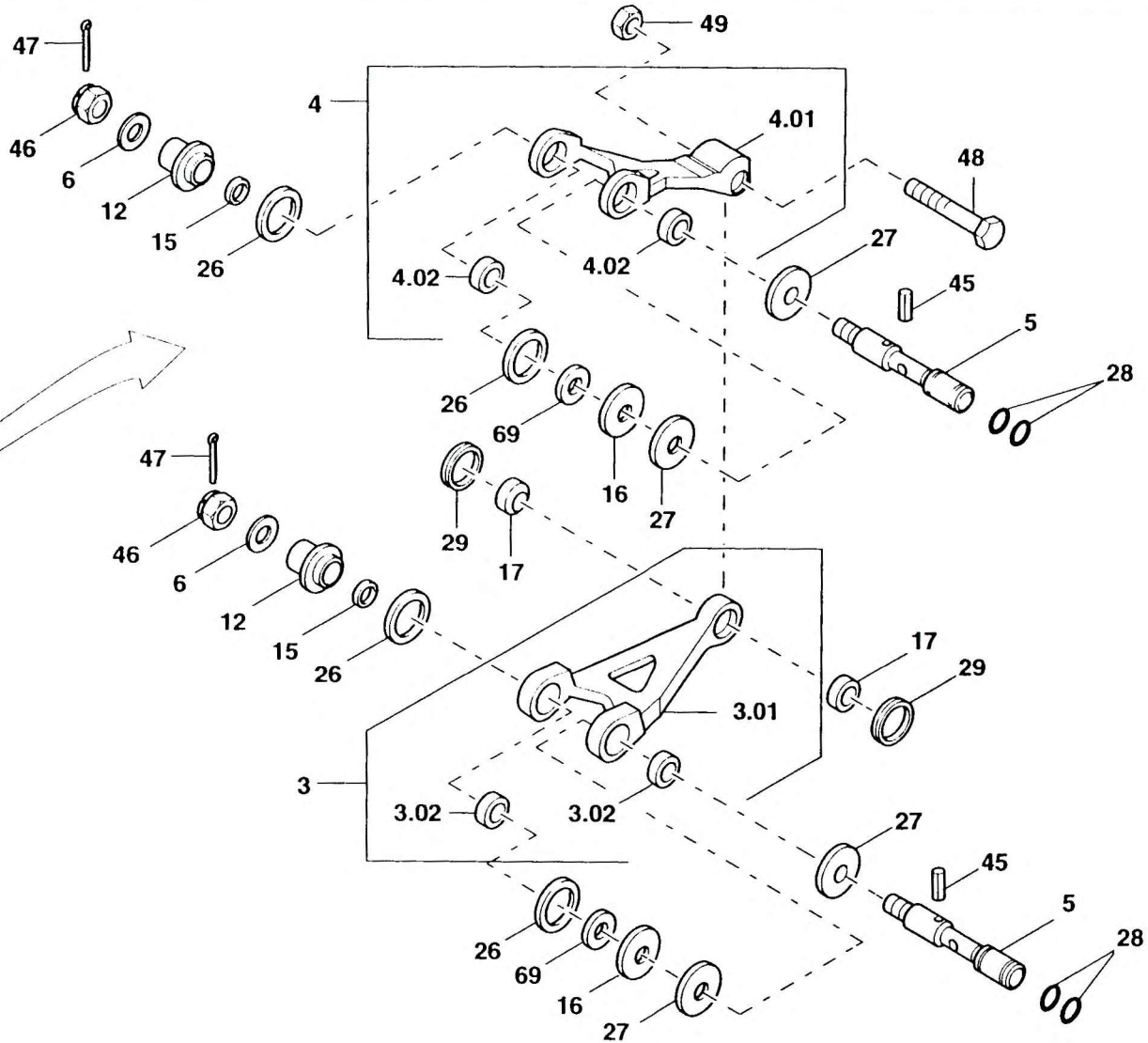
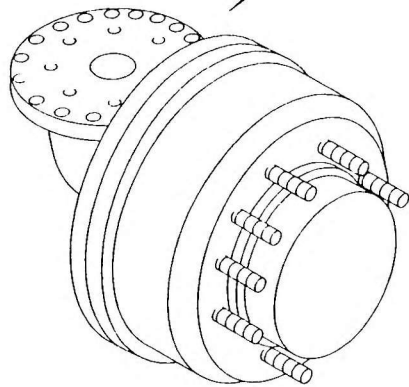
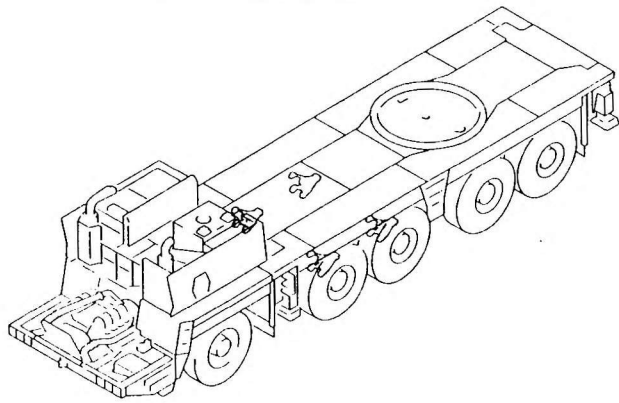
BILDTAFEL
PICTORIAL DISPLAY

04.96

2301030-ETL F

5/8

GMK 5160
BE 505
G 061





ACHSANBAU (10 x 6 x 10)
AXLE ATTACHMENT (10 x 6 x 10)

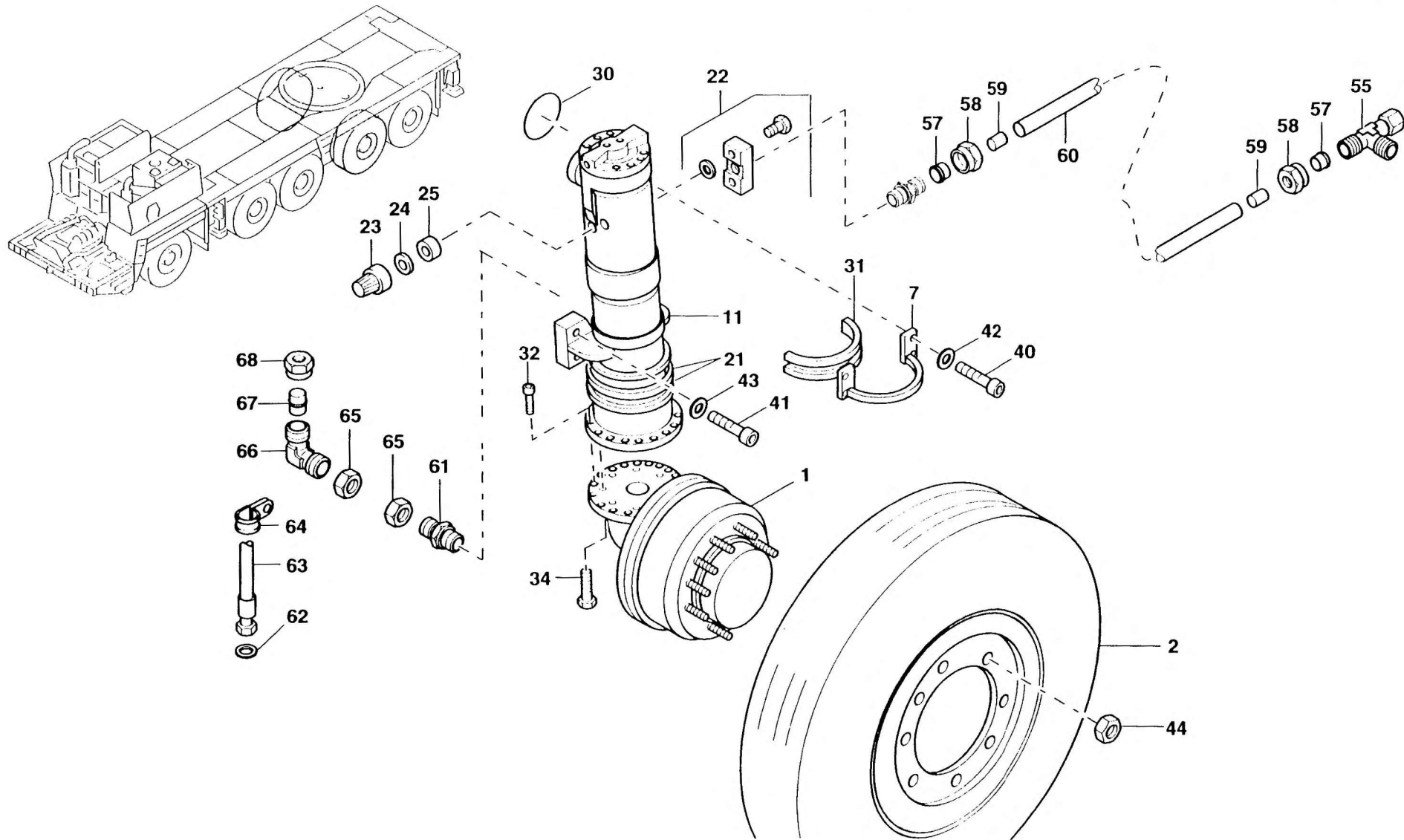
BILDTAFEL
PICTORIAL DISPLAY

04.96

2301030-ETL F

6/8

GMK 5160
BE 505
G 061





ACHSANBAU (10 x 6 x 10)
AXLE ATTACHMENT (10 x 6 x 10)

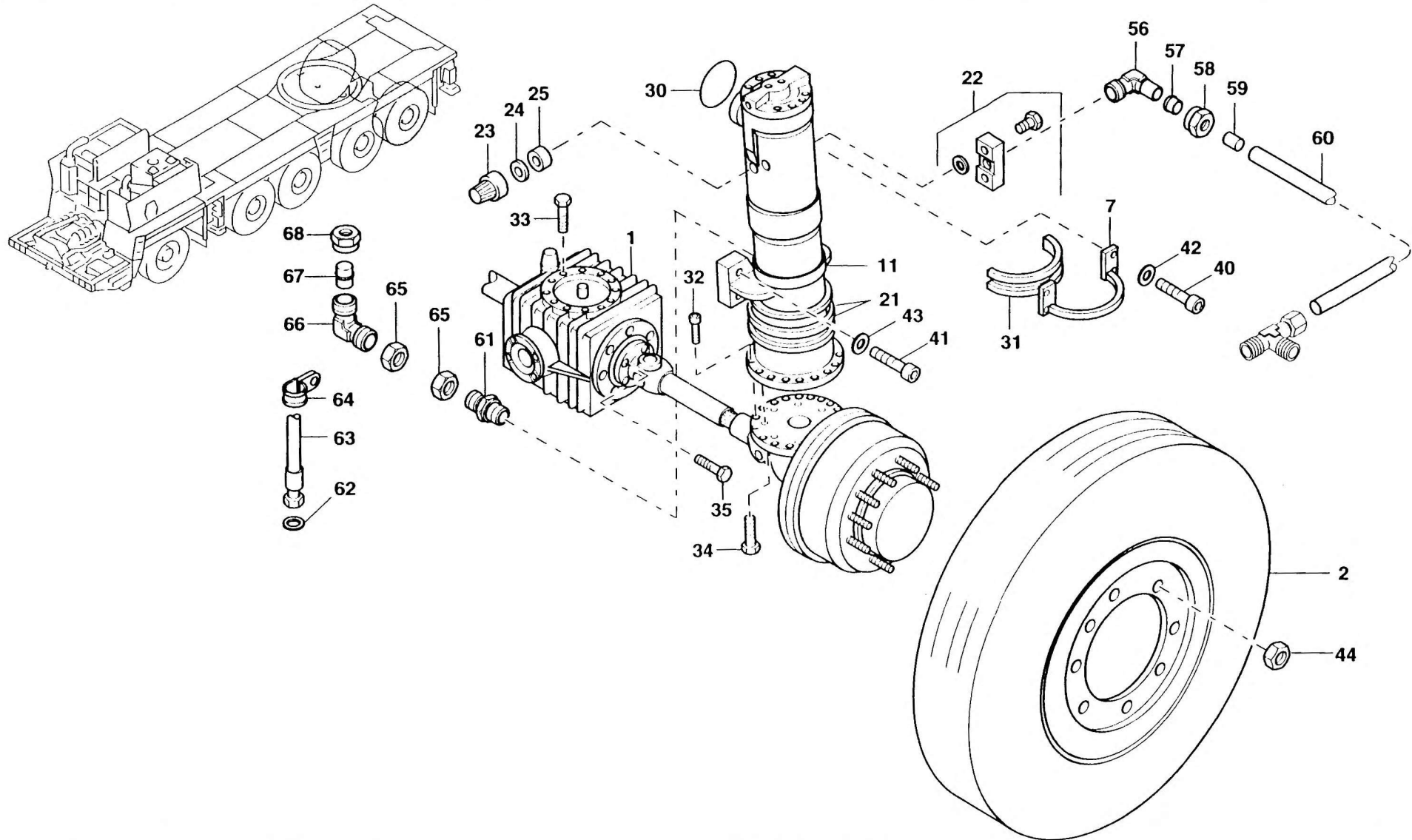
BILDТАФЕЛ
PICTORIAL DISPLAY

04.96

2301030-ETL F

7/8

GMK 5160
BE 505
G 061





ACHSANBAU (10 x 6 x 10)
AXLE ATTACHMENT (10 x 6 x 10)

BILDTAFEL
PICTORIAL DISPLAY

04.96

2301030-ETL F

8/8

GMK 5160
BE 505
G 061

